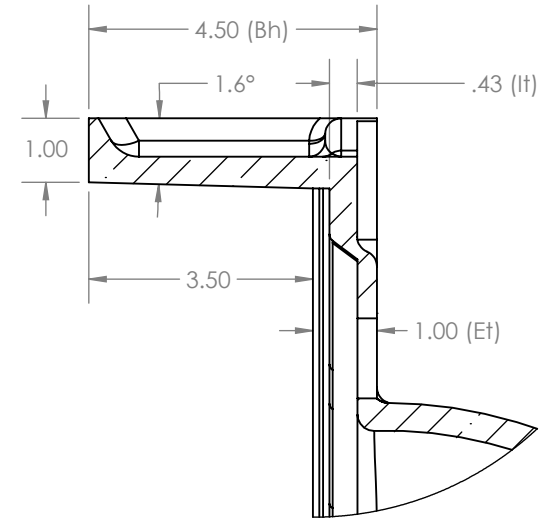
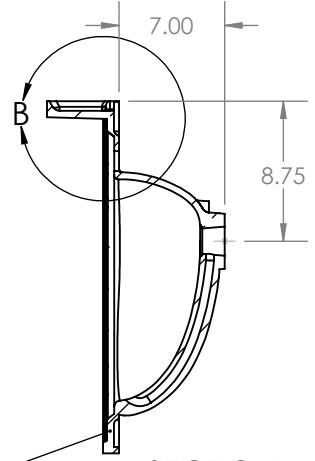
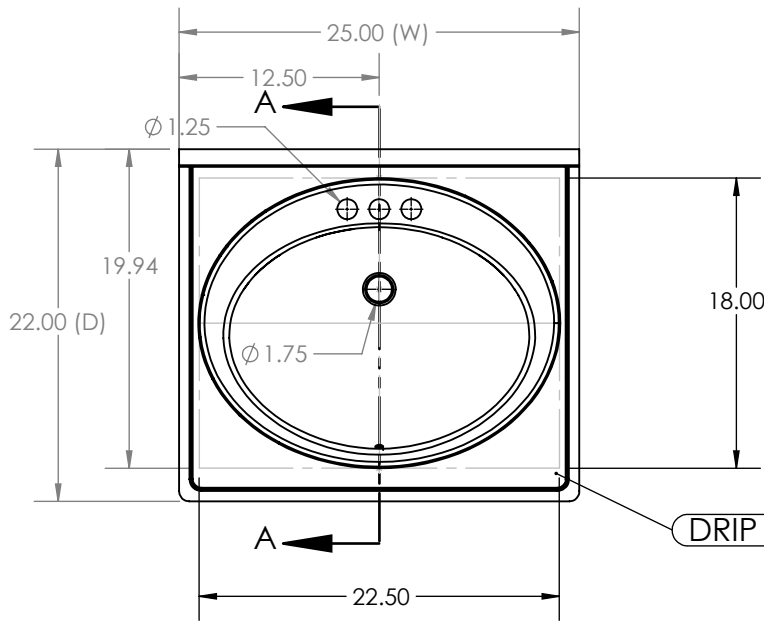


6 5 4 3 2 1

D



D

C

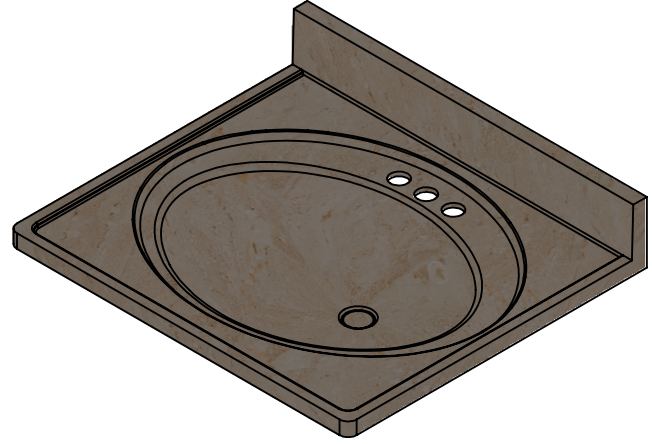
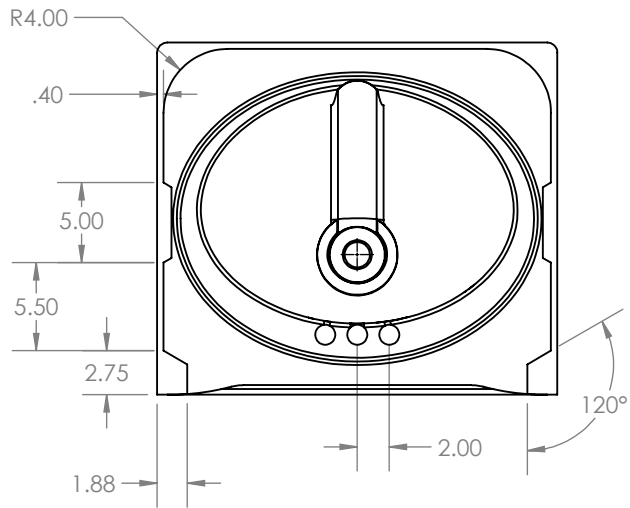
DRIP EDGE

SECTION A-A

DETAIL B

C

B



B

A

IAPMO Tolerances

Inner Plate Thickness: 6 mm
 Bowl Thickness: 6 mm
 Side difference: Less than 1/8"
 Warping: Less than 3 mm

Specifications

Collection name: STANDARD 2225
 Material: cultured marble/ granite
 Edge profile thickness (Et): 1 in
 Inner plate thickness (It): 0.43 in
 Depth (D): 22 in
 Width (W): 25 in
 Backsplash height (Bh): 4.50 in
 Backsplash: Yes
 Number of bowls: 1
 Bowl shape: Standard
 Overflow: Yes
 Edge profile: Drip edge
 Faucet mont type: 4" center set
 Weight: 11.51 kg



TITLE: 22x25 STANDARD		
DWG NO. 2225-SB-ARSTAR		
SCALE: S/N	UNITS: IN	REV: 0
DRAWN: FER	DATE: 11/29/18	SHEET 1 OF 1

6 5 4 3 2 1

A