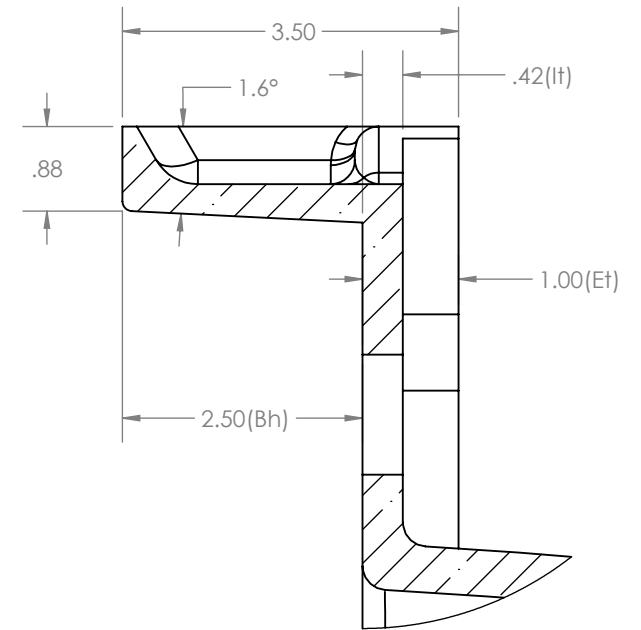
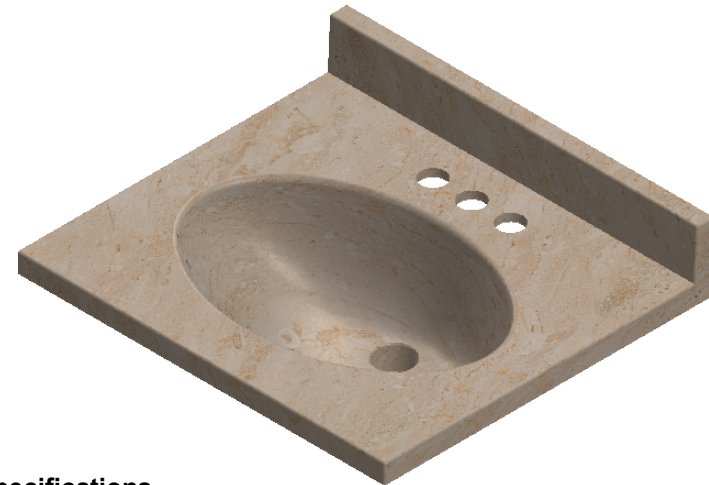
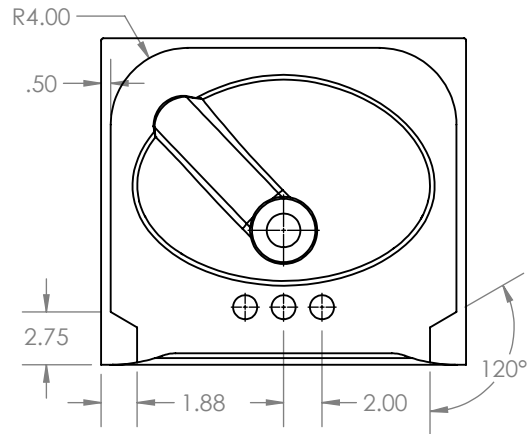


DRIP EDGE SECTION A-A



DETAIL B



**IAPMO Tolerances**

Inner Plate Thickness: 6 mm  
 Bowl Thickness: 6 mm  
 Side difference: Less than 1/8"  
 Warping: Less than 3 mm

**Specifications**

Collection name: SERIE 19  
 Material: cultured marble/ granite  
 Edge profile thickness (Et): 1 in  
 Inner plate thickness (It): 0.42 in  
 Depth (D): 17 in  
 Width (W): 19 in  
 Backsplash height (Bh): 2.50 in

Backsplash: Yes  
 Number of bowls: 1  
 Bowl shape: Standard  
 Overflow: Yes  
 Edge profile: Drip Edge  
 Faucet mont type: 4" center set  
 Weight: 7.29 kg



TITLE:		
17x19 STANDARD		
DWG NO.		
1719-SB-ARSTAR		
SCALE: S/N	UNITS: mm	REV: 0
DRAWN: FER	DATE: 3/01/19	SHEET 1 OF 1